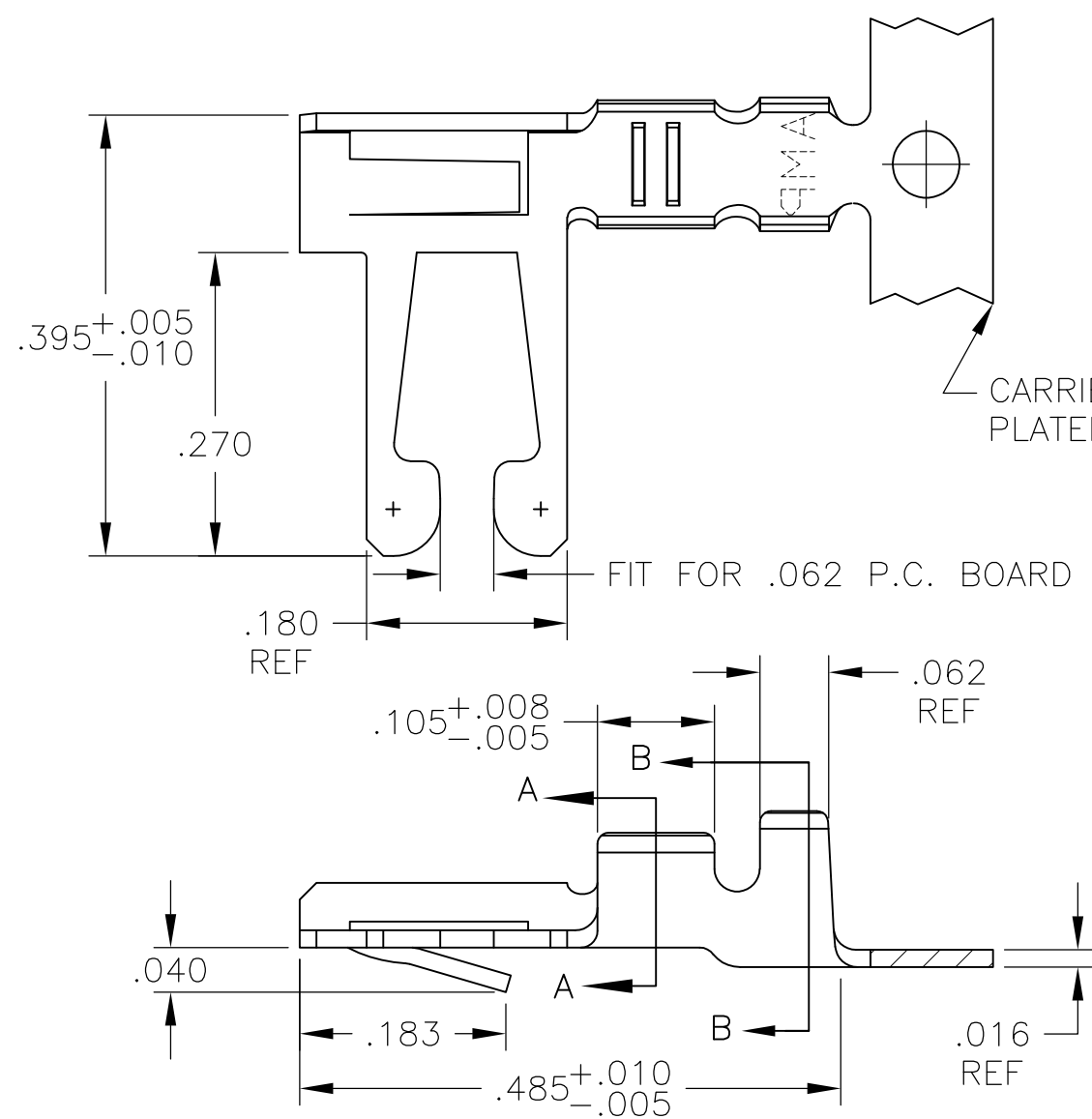
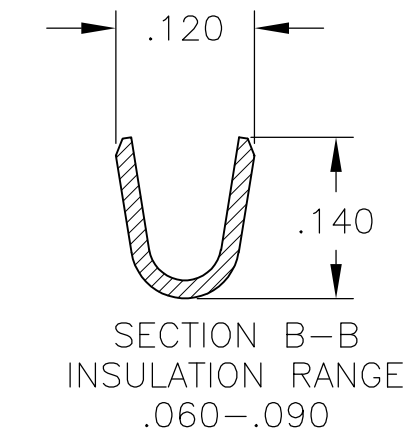
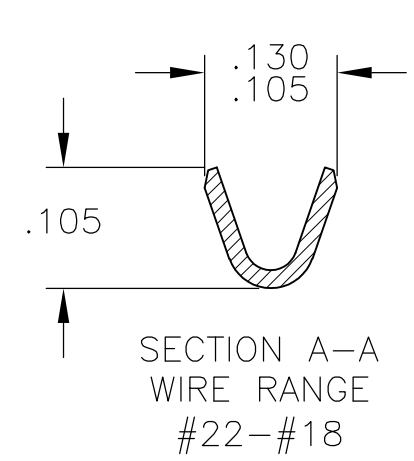


THIS DRAWING IS UNPUBLISHED. RELEASED FOR PUBLICATION  
 © COPYRIGHT - BY TYCO ELECTRONICS CORPORATION. ALL RIGHTS RESERVED.

LOC	DIST	REVISIONS			
P	LTR	DESCRIPTION	DATE	DWN	APVD
AD	00	H	ECO 05 006319	22MAY06	BSV MK
		H1	REV PER ECO-09-021510	10SEP09	KK AEG



- REFER TO CUSTOMER 582370 SERIES AND CUSTOMER 582380 SERIES FOR HOUSING AND P.C. BOARD REQUIREMENTS
- $\triangle 2$  .000015 GOLD OVER .000050 NICKEL IN CONTACT AREA. REMAINDER OF CONTACT .000050 NICKEL.
- $\triangle 3$  .000030 GOLD OVER .000050 NICKEL IN CONTACT AREA. .000050 NICKEL ON REMAINDER OF CONTACT.
- $\triangle 4$  L-R FEED FOR MINI-APPL.
- $\triangle 5$  OBSOLETE PARTS: OBSOLETE CIS STREAMLINING PER D.RENAUD/D.SINISI



$\triangle 5$ OBSOLETE	MATTE TIN	$\triangle 4$ 5-530006-5
	MATTE TIN	5-530006-2
$\triangle 5$ OBSOLETE	$\triangle 2$	$\triangle 4$ 530006-7
	$\triangle 3$	$\triangle 4$ 530006-6
	TIN PLATE	$\triangle 4$ 530006-5
OBSOLETE	$\triangle 2$	530006-4
OBSOLETE	$\triangle 3$	530006-3
	TIN PLATE	530006-2
	FINISH	PART NUMBER

THIS DRAWING IS A CONTROLLED DOCUMENT.		DWN M.BINNER 29MAR01	Tyco Electronics Corporation Harrisburg, Pa 17105-3608	
DIMENSIONS: INCHES	TOLERANCES UNLESS OTHERWISE SPECIFIED:	CHK M.MILLER 05APR01	NAME CONTACT, 22-18 AWG, DUO-TYNE FLAG WITH TAPERED BEAMS	
	0 PLC $\pm -$	APVD M.MILLER 05APR01	PRODUCT SPEC	SIZE
	1 PLC $\pm -$	PRODUCT SPEC	APPLICATION SPEC	CAGE CODE
	2 PLC $\pm -$	WEIGHT	RESTRICTED TO	DRAWING NO
	3 PLC $\pm .005$			A300779
	4 PLC $\pm .0005$			C-530006
	ANGLES $\pm -$			SCALE 6:1
MATERIAL BERYLLIUM COPPER	FINISH SEE TABLE	CUSTOMER DRAWING		SHEET 1 OF 1
				REV H1