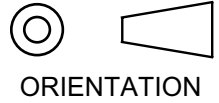


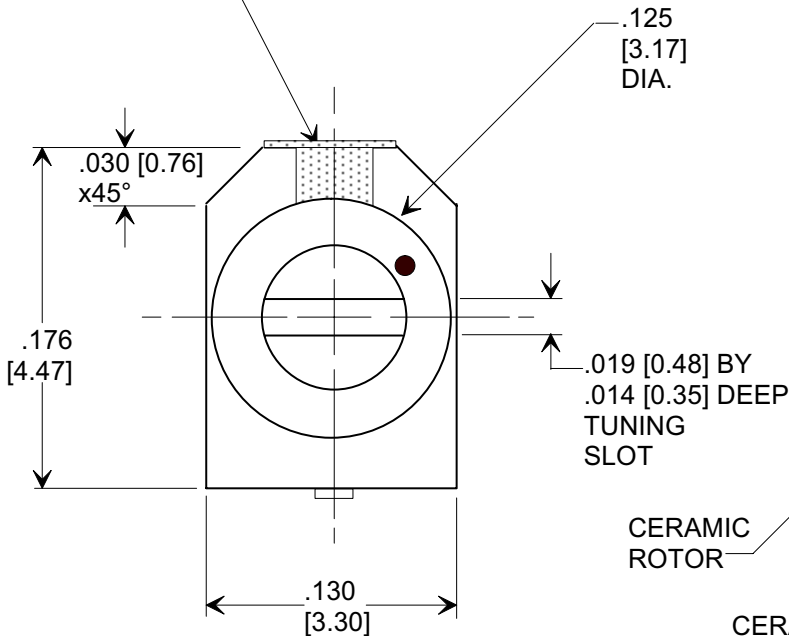
MARKETING SALES DRAWING

Electrical Testing
per Tusonix standard
test plans and Mil-Std-202
Test Methods.

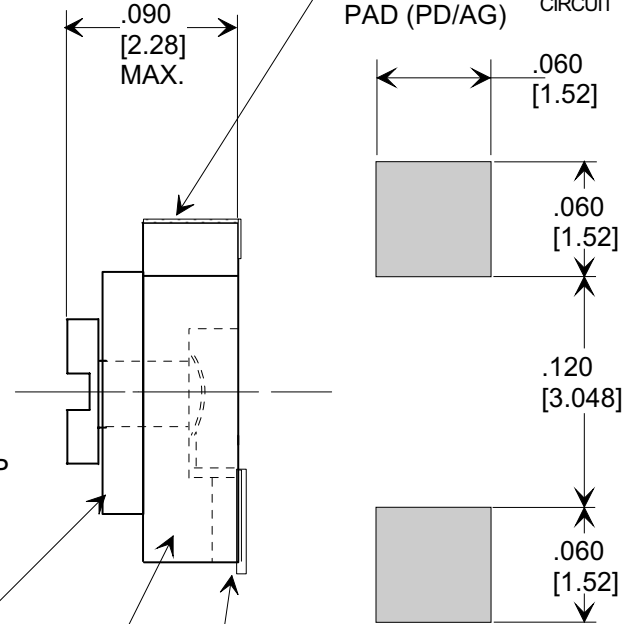
DIMENSIONS IN INCHES - DO NOT SCALE THIS DRAWING
DIMENSIONS IN METRIC - []



STATOR TERMINAL
PAD (PD/AG)



STATOR
TERMINAL
PAD (PD/AG)



RECOMMENDED
MOUNTING PATTERN

SPECIFICATIONS

TUSONIX PART NO.	512-000A1.5-5
Value:	1.5-5 pF
Value Tol.:	SEE NOTE 2
Temp. Coef.:	Diel. Code A (NP0 ± 200)
Rating:	100 VDC @ 125 °C
Operating Range:	-55°C TO + 125°C
DWV	200 vdc
Q @ 1 MHz	750 MIN.
To Tusonix Spec Unless Stated Otherwise	

NOTES:

1. PACKAGE: BULK OR BLISTER TAPE TO IEC-60286-3 TYPE II AND EIA-481-A [12MM], 7" [177.80] DIAMETER REEL 13" [330.20] DIAMETER REEL OPTIONAL
2. MUST MEET MIN/ MAX RATED CAPACITANCE.
3. TORQUE 0.14 - 2.0 OZ. IN [0.1 - 1.4 Ncm.]
4. TUSONIX STANDARD PART NUMBER: 512-000 A 1.5-5. TUSONIX RoHS COMPLIANT PART NUMBER: 512-000 A 1.5-5 LF. CUSTOMER MUST SPECIFY STANDARD OR RoHS PART NUMBER WHEN ORDERING.
5. ROTOR TERMINAL: STANDARD PART #: 60/40 SOLDER PLATED. RoHS PART #: SILVER PLATED.
6. PART MARKING: STANDARD PART: NO MARKING. RoHS PART: MARKED ON PACKAGING ONLY.

X-2015 Rev-0

REVISION RECORD Original Release C.O. 20030605-1-03 ADDED NOTES 4,5 & 6. S.M. 09-08-05 20050902-1-03	0	1	--TOLERANCES-- Unless Otherwise Specified	Title SURFACE MOUNT TRIMMER		
	DECIMAL ±.005 [0.13]		Drawn L.E. 06-16-03			
	ANGLES ±		Approved T.C. 06-16-03		Scale 10x	
	TUSONIX TUCSON, ARIZONA		A	512-000 A 1.5 - 5		