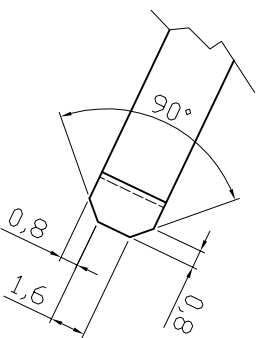
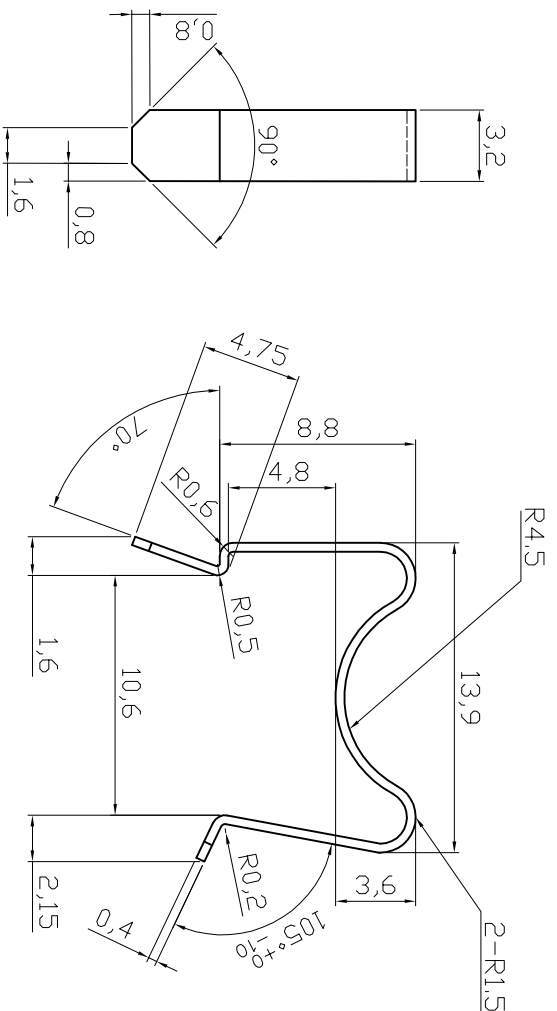


	1	2	3	4	5	6	7																																																										
A																																																																	
B	<p>Material :SUS 301 T0.4mm HV380 degreee Finished: Clean ④Clip for V8502</p>																																																																
C	<p>ROHS compliant Unit: mm</p>																																																																
D	<table border="1"> <thead> <tr> <th>Scale</th> <th>Free</th> <th colspan="2"></th> <th colspan="2"></th> <th colspan="2"></th> </tr> </thead> <tbody> <tr> <td>TOLERANCE</td> <td></td> <td></td> <td></td> <td></td> <td></td> <td></td> <td></td> </tr> <tr> <td>UNIT</td> <td>±0.5</td> <td></td> <td></td> <td></td> <td></td> <td></td> <td></td> </tr> <tr> <td></td> <td></td> <td>④</td> <td>Add note</td> <td>08.07.2016</td> <td>Amy</td> <td>Drawn</td> <td>02.08.2006</td> </tr> <tr> <td></td> <td></td> <td>③</td> <td>Modify drawing layout</td> <td>10.03.2010</td> <td>Alex</td> <td>Approved</td> <td>08.07.2016</td> </tr> <tr> <td></td> <td></td> <td>②</td> <td>Update</td> <td>11.08.2009</td> <td>Dean</td> <td></td> <td></td> </tr> <tr> <td></td> <td></td> <td>①</td> <td>Drawn</td> <td>02.08.2006</td> <td>Storb</td> <td></td> <td></td> </tr> </tbody> </table>							Scale	Free							TOLERANCE								UNIT	±0.5									④	Add note	08.07.2016	Amy	Drawn	02.08.2006			③	Modify drawing layout	10.03.2010	Alex	Approved	08.07.2016			②	Update	11.08.2009	Dean					①	Drawn	02.08.2006	Storb				
Scale	Free																																																																
TOLERANCE																																																																	
UNIT	±0.5																																																																
		④	Add note	08.07.2016	Amy	Drawn	02.08.2006																																																										
		③	Modify drawing layout	10.03.2010	Alex	Approved	08.07.2016																																																										
		②	Update	11.08.2009	Dean																																																												
		①	Drawn	02.08.2006	Storb																																																												
E	<table border="1"> <thead> <tr> <th>DIM</th> <th>TOL</th> <th colspan="2"></th> <th colspan="2"></th> <th colspan="2"></th> </tr> </thead> <tbody> <tr> <td>X. °</td> <td>±X°</td> <td></td> <td></td> <td></td> <td></td> <td></td> <td></td> </tr> <tr> <td>X.X°</td> <td>±X°</td> <td>①</td> <td>Drawn</td> <td>02.08.2006</td> <td>Storb</td> <td></td> <td></td> </tr> </tbody> </table>							DIM	TOL							X. °	±X°							X.X°	±X°	①	Drawn	02.08.2006	Storb																																				
DIM	TOL																																																																
X. °	±X°																																																																
X.X°	±X°	①	Drawn	02.08.2006	Storb																																																												
F	<table border="1"> <thead> <tr> <th>Angle</th> <th>TOL</th> <th colspan="2"></th> <th colspan="2"></th> <th colspan="2"></th> </tr> </thead> <tbody> <tr> <td></td> <td></td> <td></td> <td></td> <td></td> <td></td> <td></td> <td></td> </tr> </tbody> </table>							Angle	TOL																																																								
Angle	TOL																																																																
G	<table border="1"> <thead> <tr> <th>Customer-No.</th> <th colspan="2"></th> <th colspan="2"></th> <th colspan="2"></th> </tr> </thead> <tbody> <tr> <td>ASSMANN WSW-No.</td> <td></td> <td></td> <td></td> <td></td> <td></td> <td></td> </tr> <tr> <td></td> <td></td> <td></td> <td></td> <td></td> <td></td> <td></td> </tr> </tbody> </table>							Customer-No.							ASSMANN WSW-No.																																																		
Customer-No.																																																																	
ASSMANN WSW-No.																																																																	
H	<table border="1"> <thead> <tr> <th>Customer-No.</th> <th colspan="2"></th> <th colspan="2"></th> <th colspan="2"></th> </tr> </thead> <tbody> <tr> <td>ASSMANN WSW-No.</td> <td></td> <td></td> <td></td> <td></td> <td></td> <td></td> </tr> <tr> <td></td> <td></td> <td></td> <td></td> <td></td> <td></td> <td></td> </tr> </tbody> </table>							Customer-No.							ASSMANN WSW-No.																																																		
Customer-No.																																																																	
ASSMANN WSW-No.																																																																	



Material :SUS 301 T0.4mm
HV380 degreee
Finished: Clean
④Clip for V8502

ROHS compliant
Unit: mm

Scale	Free						
TOLERANCE							
UNIT	±0.5						
		④	Add note	08.07.2016	Amy	Drawn	02.08.2006
		③	Modify drawing layout	10.03.2010	Alex	Approved	08.07.2016
		②	Update	11.08.2009	Dean		
		①	Drawn	02.08.2006	Storb		



ASSMANN WSW-No. V08HK
Drawing-No. ASS 0611 HS
rev04

Customer-No. ASSMANN WSW-No. V08HK
Drawing-No. ASS 0611 HS
rev04

Replace Sheet