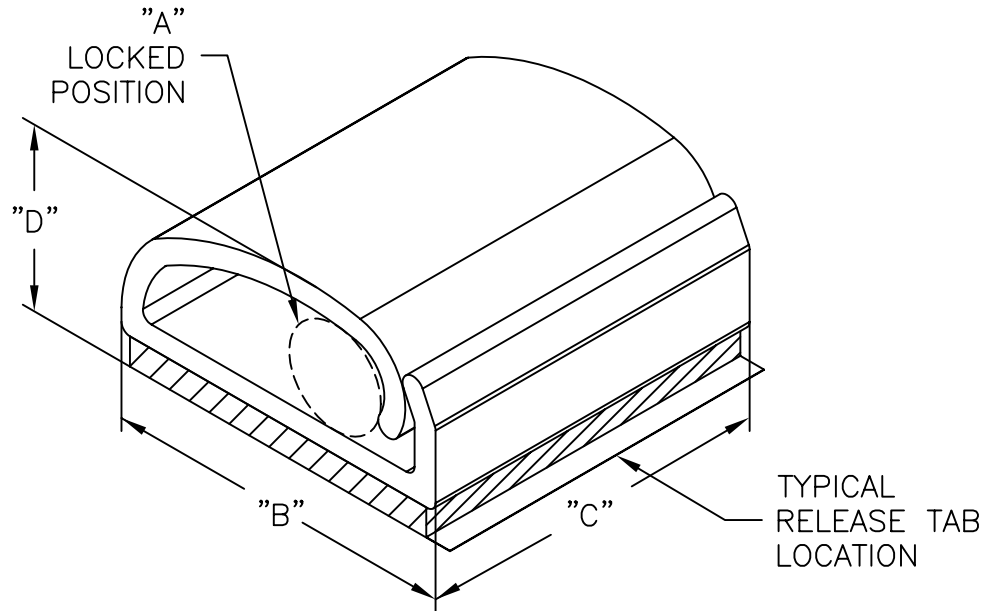


PART NO.	HOLDING CAPACITY "A"	"B" ±.015 (0.4)	"C" ±.02 (0.5)	"D" AT MAX. CAPACITY REF.
KKDL-4-RT	1/8 (3.2)	1/2 (12.7)	1/2 (12.7)	.28 (7.1)
KKDL-8-RT	7/32 (5.6)	3/4 (19.1)	3/4 (19.1)	.43 (10.9)



NOTES:

- MATERIAL: RIGID PVC (RMS-04)
ALSO AVAILABLE IN CLEAR PVC (RMS-32)
BY SPECIAL ORDER.
- COLOR: GRAY
- TAPE: 1/16" THICK DOUBLE SIDED
ADHESIVE (RMS-15), WHITE LINER.
- CUSTOM LENGTHS AVAILABLE BY SPECIAL ORDER.

TITLE: KWIK-KLIP, TYPE "DL"		DWG IN IN (MM)		FINAL			
D	CHANGED NOTE 1 & ADDED NOTE 4	SJ 03.14.02	TOLERANCES UNLESS NOTED	FILE #	KKDL	DWN: S.M.	APP:
C	COMPLETELY RE-DRAWN & CHANGED FILE #	S.M. 01.04.01	.XX=±.020	MAT'L:	SEE NOTE	DT: 01/05/01	DT:
B	ADDED NOTES, CORRECTED TAPE THICKNESS TO 1/16"	JK 2.10.00	.XXX=±.015	RE:	RICHCO, INC.	RICHCO INC. PO BOX 804238, CHICAGO, 60680 (773) 539-4060	
A	KKDL-4 ADDED	JP 12.03.97	FRAC=±1/64			PART # SEE CHART	
REV	DESCRIPTION	ENGR DATE	ANG=±1'			PRINT TYPE CA	