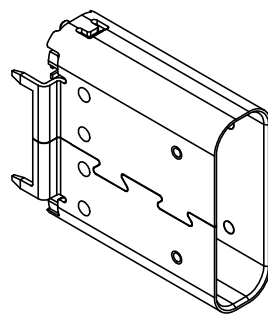
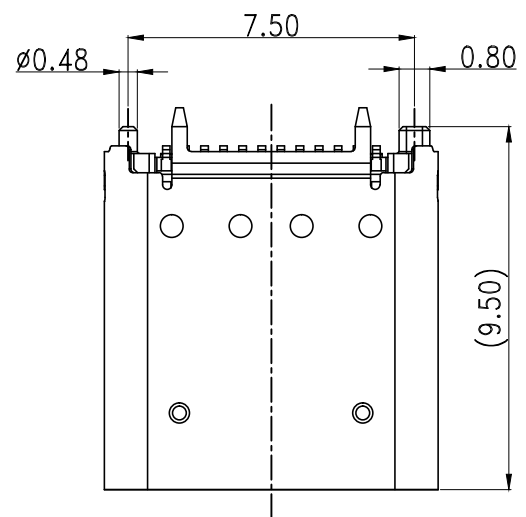


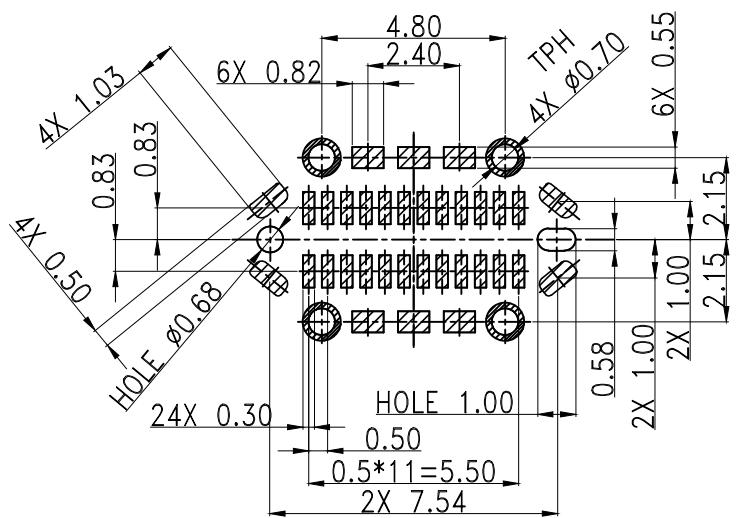
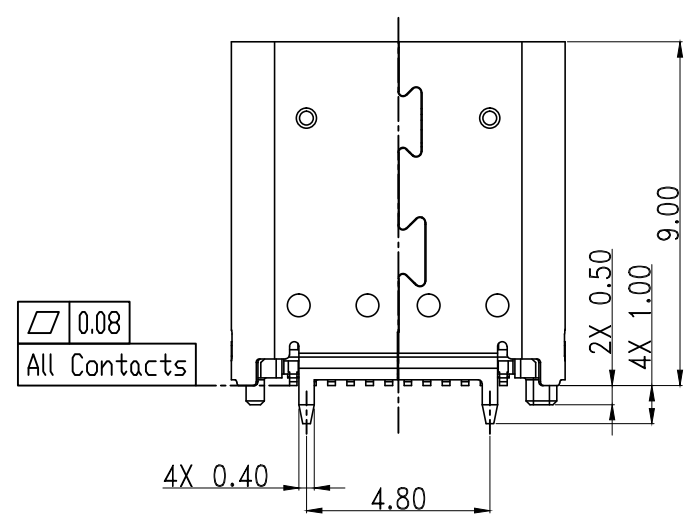
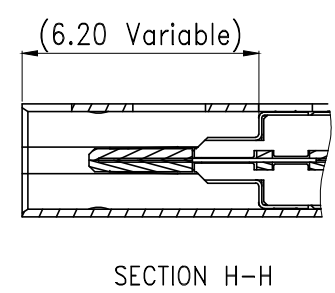
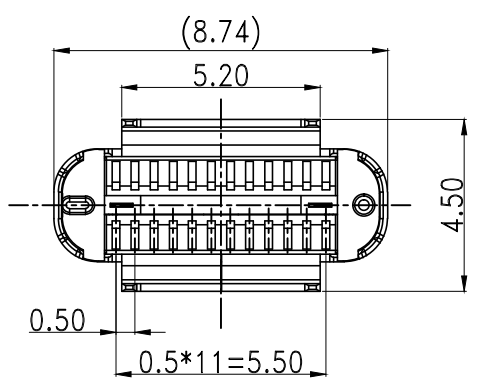
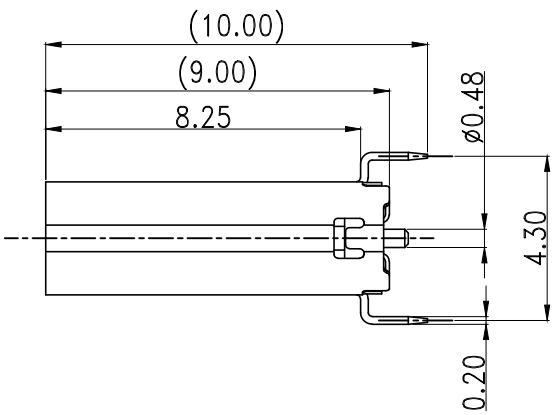
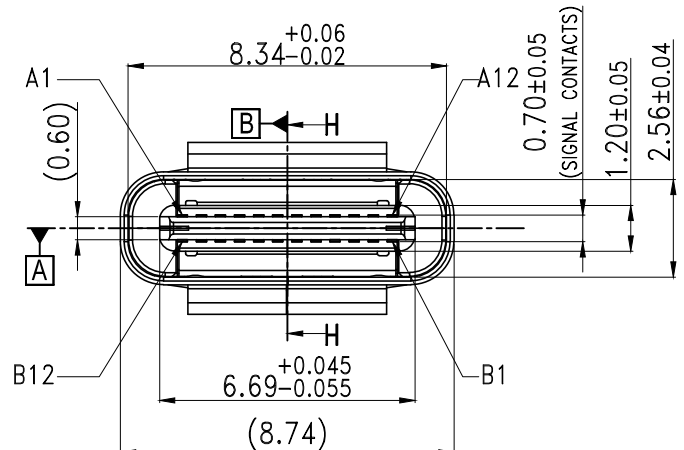
This document is the property of Amphenol Corporation and is delivered on the express condition that it is not to be disclosed, reproduced or used, in whole or in part, for manufacture or sale by anyone other than Amphenol Corporation without its prior consent, & that no right is granted to disclose or to use any information in this document.

# REFERENCE DRAWING

REVISIONS				
SYM	ECN	DESCRIPTION	DATE	APPROVED
X1	1509****	NEW RELEASE	09/01/15	Tom
X2	1604****	MODIFY THE LENGHT	04/22/16	Tom



Pin No	Signal Name	Mating Sequence	Pin No	Signal Name	Mating Sequence
A1	GND	First	B12	GND	First
A2	TX1+	Second	B11	RX1+	Second
A3	TX1-	Second	B10	RX1-	Second
A4	Vbus	First	B9	Vbus	First
A5	CC1	Second	B8	SBU2	Second
A6	D+	Second	B7	D-	Second
A7	D-	Second	B6	D+	Second
A8	SBU1	Second	B5	CC2	Second
A9	Vbus	First	B4	Vbus	First
A10	RX2-	Second	B3	TX2-	Second
A11	RX2+	Second	B2	TX2+	Second
A12	GND	First	B1	GND	First
SHELL	GND		SHELL	GND	



- Notes:
- Material :  
Contacts : copper alloy  
Shell : Stainless steel.  
Housing : High-temperature polymer UL94V-0, black.
  - Plating :  
Contacts: contact area 30u" Au, Solder tail gold flash or matte tin, nickel overall.  
Shell : Nickel Plating
  - Coplanarity : 0.08Max.
  - P/N : 12401661E4#2A.
  - Packaging type: carrier tape.
  - Material should be fulfilled Amphenol spec# SSN002 AND Customer Requirements, for halogen free products, also need to meet SSN004

UNLESS OTHERWISE SPECIFIED TOLERANCES U.S. METRIC .X +/- / ±0.30 .XX +/- / ±0.25 .XXX +/- / ±0.20 FRACTIONS +/- ANGLES +/-	APPROVAL	DATE	<h2>Amphenol</h2>
	DRAWN Michael.qin	04/22/16	
FOR MATERIALS AND FINISHES SEE NOTES	CHECKED Welson.Lu	04/22/16	<h3>USB TYPE C CONNECTOR VERTICAL</h3>
REMOVE SHARP EDGES	DRAWING FILE :		
DIMENSIONS	ANGLE OF PROJECTION		TITLE
U.S. INCHES (METRIC) (MM)			
SCALE NONE		SIZE A3	DRAWING NO. 12401661E4#2A
SHEET 1 OF 1		REV. X2	